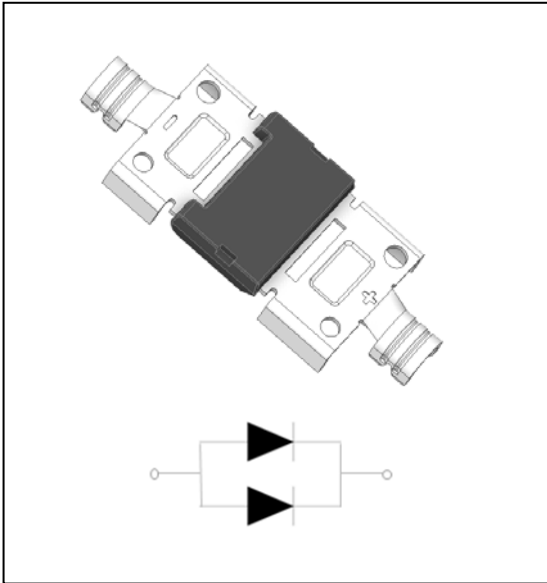




MK5045

Schottky Bypass Diode Module

肖特基旁路二极管模块



Features/产品特点

- High frequency operation / 高频工作
- Low forward voltage drop / 正向压降小
- High purity, high temperature epoxy encapsulation for enhanced mechanical strength and moisture resistance / 高纯度、高温环氧封装，机械强度和防潮性好
- long term reliability / 长期可靠性好

Typical Applications/典型应用

Photovoltaic solar cell protection schottky rectifier / 光伏太阳能电池保护肖特基整流器

Mechanical Data/产品参数

Package/封装: GF030S

- Molding compound meets UL 94 V-0 flammability rating / 塑封材料符合UL 94 V-0可燃性等级
- Terminals/引脚材料: Tin plated leads, solderable per J-STD-002 and JESD 22-B102 / 铜镀锡引线，可焊性符合J-STD-002 JESD 22-B102标准
- Polarity/极性: As marked / 见印字符号

Maximum Ratings (Ta=25°C Unless otherwise specified) / 最大额定值 (环境温度Ta=25°C 除非另有定义)

PARAMETER 参数	SYMBOL 符号	UNIT 单位	MK5045
Device marking code 产品型号			MK5045
Repetitive Peak Reverse Voltage 反向重复峰值电压	VRRM	V	45
Average Rectified Output Current @60Hz half sine-wave, R-load, Ta=25°C 平均整流输出电流，测试条件：60Hz正弦半波，电阻负载，环境温度Ta=25°C	Io	A	50
Surge(Non-repetitive)Forward Current@60Hz half sine-wave, 1 cycle, Ta=25°C 正向(不重复)浪涌电流，测试条件：60Hz正弦半波，一个周期，结温Tj=25°C	IFSM	A	700
Current Squared Time @1ms≤t<8.3ms Tj=25°C 正向浪涌周期电流平方时间积(1ms≤t<8.3ms 结温Tj=25°C)	I²t	A²s	2030
Storage Temperature 储存温度	Tstg	°C	-55 ~+150
Junction Temperature/ IN DC Forward Mode-Forward Operations, without reverse bias, t ≤1 h (Fig. 1)(1) 结温 在正向直流条件下，没有施加反向电压，通电≤1h (图示1) ①	Tj	°C	-55 ~+200

NOTE: (1) Meets the requirements of IEC 61215 Ed. 2 bypass diode thermal test.

注：(1) 满足 IEC 61215 Ed.2 旁路二极管热性能要求。

Electrical Characteristics (Ta=25°C Unless otherwise specified) / 电特性 (环境温度Ta=25°C 除非另有规定)

PARAMETER 参数	SYMBOL 符号	UNIT 单位	TEST CONDITIONS 测试条件	MK5045
Maximum instantaneous forward voltage drop per diode 最大正向瞬时压降	VFM	V	IFM=50A 正向最大电流=50A	0.5
Maximum DC reverse current at rated DC blocking voltage per diode 在直流反向峰值电压条件下，最大的反向电流	IRRM1	mA	VRM=VRRM 环境温度Ta=25°C	0.2
	IRRM2		VRM=VRRM 环境温度Ta=100°C	18
	IRRM3		VRM=VRRM 环境温度Ta=125°C	70



MK5045

■ Thermal Characteristics (Ta=25°C Unless otherwise specified) / 热阻(环境温度Ta=25°C 除非另有规定)

PARAMETER 参数	SYMBOL 符号	UNIT 单位	MK5045
Thermal Resistance (1) 热阻	RθJ-C	°C/W	1.0

Note: (1) Thermal resistance from Between junction and case, On glass-epoxi substrate.

(1) 注: (1) Pn结与二极管壳体间热阻, 在玻璃基板上。

■ Ordering Information (Example) / 包装信息 (示例)

PREFERRED P/N 型号规格	UNIT WEIGHT(g) 单位重量(克)	MINIIMUM PACKAGE(pcs) 最小单管数量(颗)	OUTER CARTON QUANTITY(pcs) 整箱数量(颗)	DELIVERY MODE 包装方式
MK5045	Approximate 5.5 平均5.5克/只	30	1500	Tube

■ Characteristics (Typical) / 特性(典型值)

FIG1: I_o-T_c Curve
I_o-T_c特性曲线

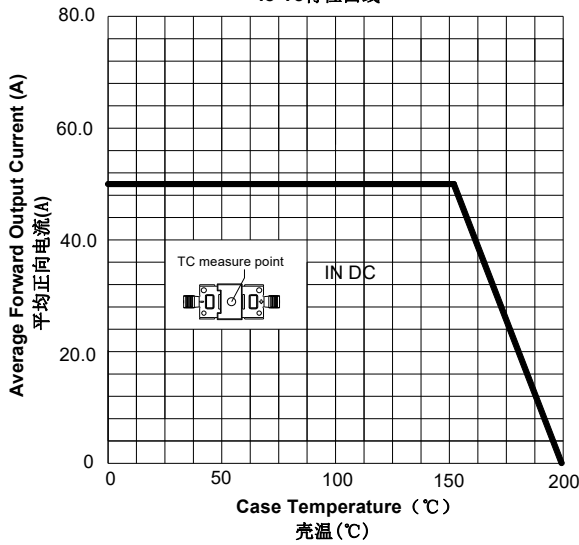


FIG2: Surge Forward Current Capability
向浪涌电流能力

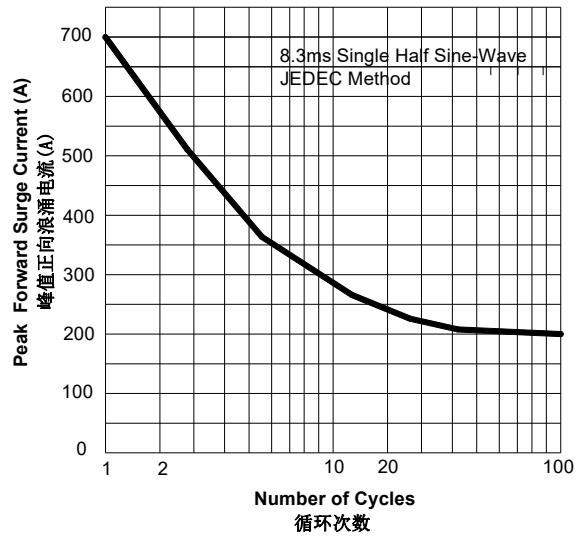


FIG3: Forward Voltage
正向压降

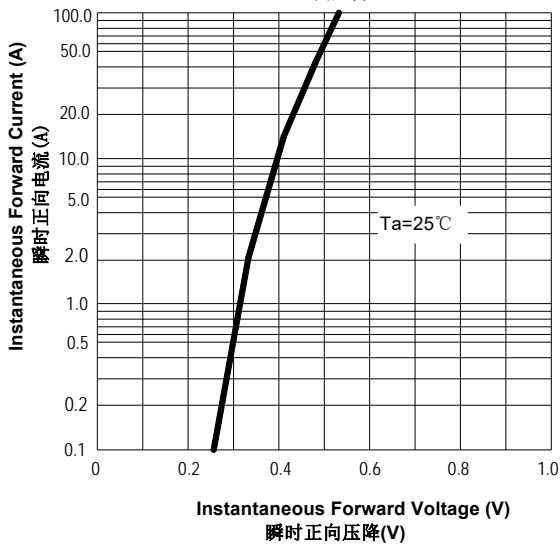
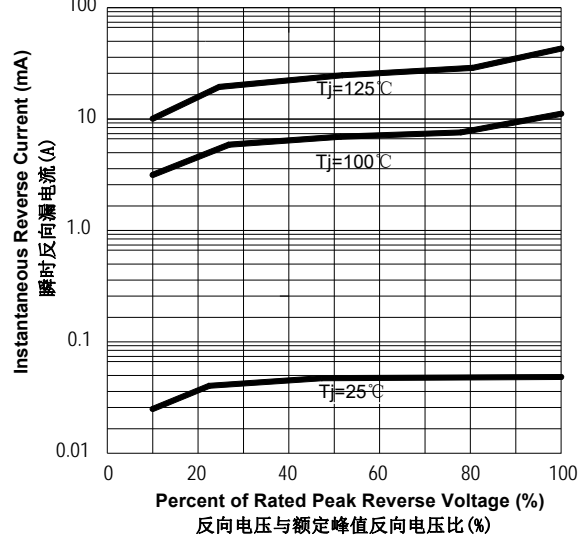


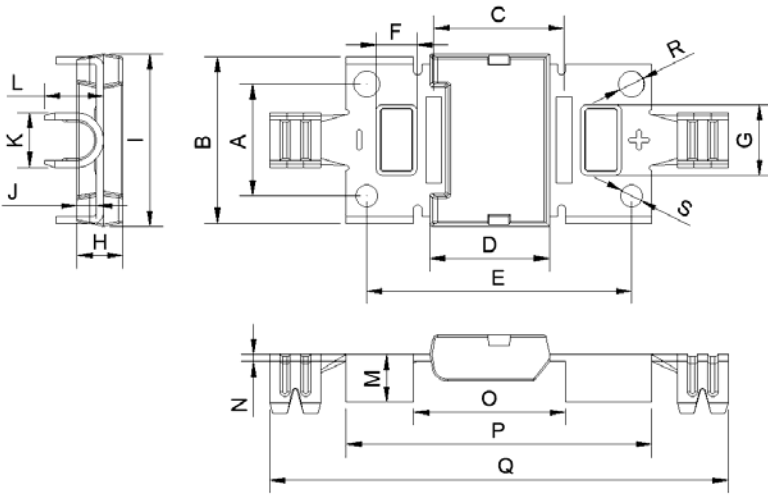
FIG4: Typical Reverse Characteristics
反向漏电典型值





MK5045

■Outline Dimensions / 外形尺寸



DIM	MM		NOTE
	MIN	MAX	
A	10.5	11.5	
B	15.9	16.9	
C	12.6	13	
D	11.23	12.23	
E	25.5	26.5	
F	3.5	4.5	
G	6.5	7.5	
H	4.3	4.7	
I	16.5	17.5	
J	1.7	2.1	
K	5	5.8	
L	5.6	6	
M	4.4	5	
N	0.6	0.8	
O	14.73	15.13	
P	29.5	30.5	
Q	44.5	45.5	
R	2.35	2.65	
S	2	2.3	



Disclaimer 免责声明

The information presented in this document is for reference only. Yangzhou Yangjie Electronic Technology Co., Ltd. reserves the right to make changes without notice for the specification of the products displayed herein to improve reliability, function or design or otherwise.

本文档说明内容仅供参考。扬州扬杰电子科技股份有限公司保留更改本产品规格以提高可靠性、功能或设计等的权利，恕不另行通知。

The product listed herein is designed to be used with ordinary electronic equipment or devices, and not designed to be used with equipment or devices which require high level of reliability and the malfunction of which would directly endanger human life (such as medical instruments, transportation equipment, aerospace machinery, nuclear-reactor controllers, fuel controllers and other safety devices), Yangjie or anyone on its behalf, assumes no responsibility or liability for any damages resulting from such improper use of sale.

本产品设计为与普通电子设备或设备配套使用，不适合与对可靠性要求高、设备故障会直接危及人身安全的设备或装置配套使用(如医疗器械、运输设备、航空航天机械、核反应堆控制器、燃料控制器及其他安全装置)、扬杰或其任何代表人，对因此类不当使用而造成的任何损害不承担任何责任或义务。